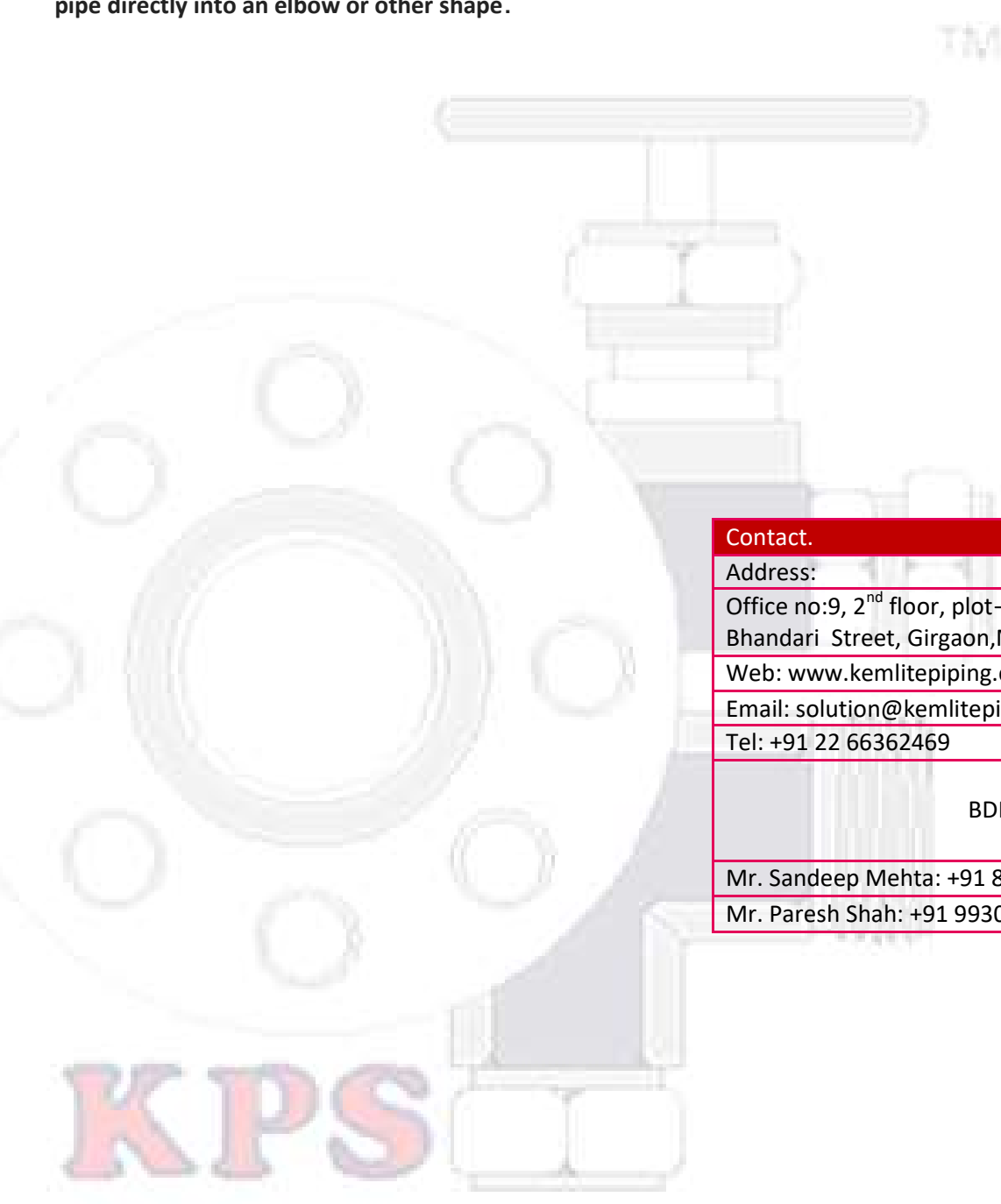




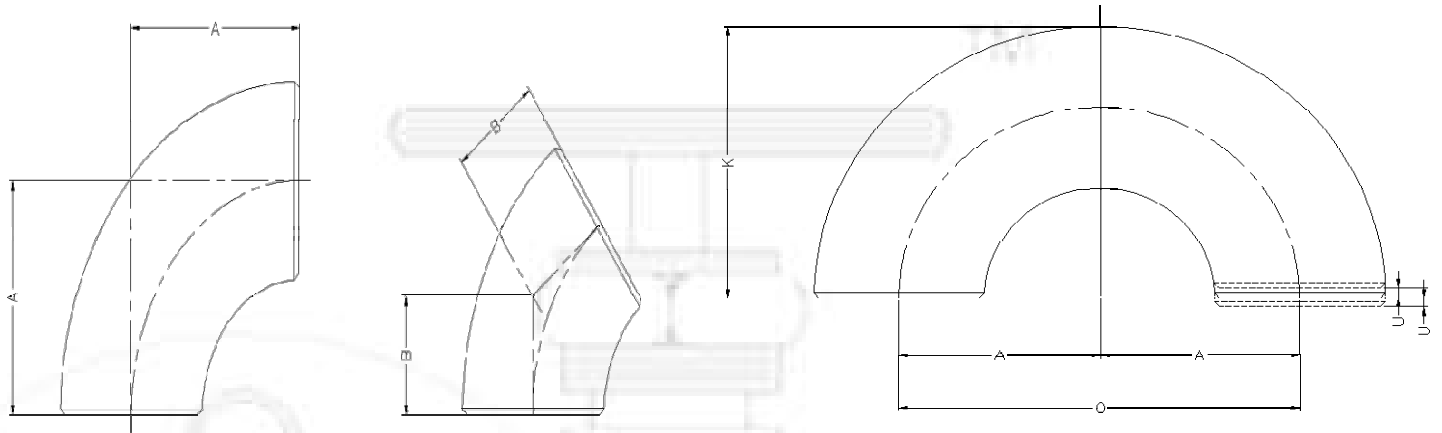
What is a Butt-Weld Fitting?

A seamless butt weld pipe fitting is made directly from a section of seamless pipe material, by applying heat and pressure to transform pipe directly into an elbow or other shape.

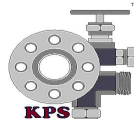


Contact.
Address:
Office no:9, 2 nd floor, plot—100, Godavari Bhavan, Bhandari Street, Girgaon,Mumbai-400004
Web: www.kemlitepiping.com
Email: solution@kemlitepiping.com
Tel: +91 22 66362469
BDM's Desk
Mr. Sandeep Mehta: +91 8460011691
Mr. Paresh Shah: +91 9930552730

• **LONG RADIUS ELBOWS AND RETURNS**



DIA	D	A	B	O	K
1/2"	21.3	38	16	76	48
3/4"	26.7	29	11	57	43
1"	33.4	38	22	76	56
1 1/4"	42.2	48	25	95	70
1 1/2"	48.3	57	29	114	83
2"	60.3	76	35	152	106
2 1/2"	73	95	44	191	132
3"	88.9	114	51	229	159
3 1/2"	101.6	133	57	267	184
4"	114.3	152	64	305	210
5"	141.3	190	79	381	262
6"	168.3	229	95	457	313
8"	219.1	305	127	610	414
10"	273	381	159	762	518
12"	323.89	457	190	914	619
14"	355.6	533	222	1067	711
16"	406.4	610	254	1219	813
18"	457	686	286	1372	914
20"	508	762	318	1524	1016
22"	559	838	343	1676	1118
24"	610	914	381	1829	1219



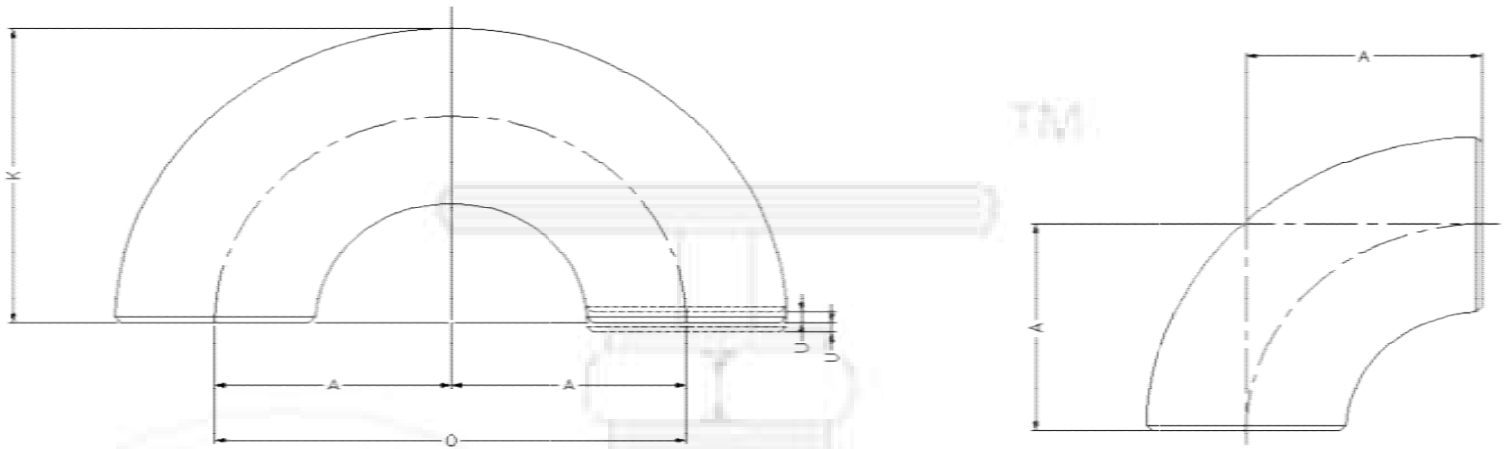
- LONG RADIUS ELBOWS AND RETURNS**

Tolerances				
Size	outside Diameter	Inside Diameter	Wall Thickness	Center to end Dimension
1/2" To 2 1/2"	(+1.6 MM OD /-0.8 MM OD)	0.8	12.50%	2
3" To 3 1/2"	(+1.6 MM OD)	1.6	12.50%	2
4"	(+1.6 MM OD)	1.6	12.50%	2
5" To 8"	(+2.4 MM OD /-1.6 MM OD)	1.6	12.50%	2
10" To 18"	(+4 MM OD /-3.2 MM OD)	3.2	12.50%	2
20" To 24"	(+6.4 MM OD /-4.8 MM OD)	4.8	12.50%	2

KPS



• **SHORT RADIUS ELBOWS AND RETURNS**



DIA	D	A	O	K
1"	33.4	25	51	41
1 1/4"	42.2	32	64	52
1 1/2"	48.3	38	76	62
2"	60.3	51	102	81
2 1/2"	73	64	127	100
3"	88.9	76	152	121
3 1/2"	101.6	89	178	140
4"	114.3	102	203	159
5"	141.3	127	254	197
6"	168.3	152	305	237
8"	219.1	203	406	313
10"	273	254	508	391
12"	323.89	305	610	467
14"	355.6	356	711	533
16"	406.4	406	813	610
18"	457	457	914	686
20"	508	508	1016	762
22"	559	559	1118	838
24"	610	610	1219	914



- SHORT RADIUS ELBOWS AND RETURNS**

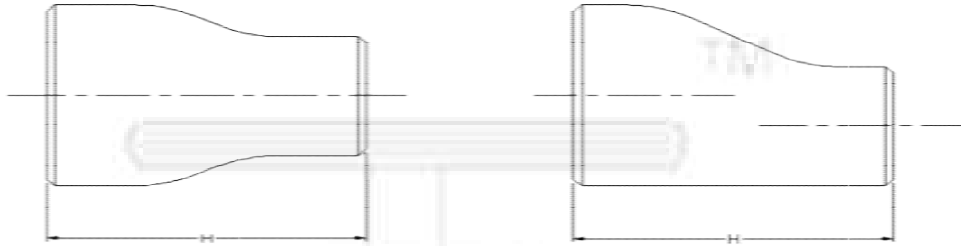
Tolerances

Size	outside Diameter	Inside Diameter	Wall Thickness	Center to end Dimension
1/2" To 2 1/2"	(+1.6 MM OD /-0.8 MM OD)	0.8	12.50%	2
3" To 3 1/2"	(+1.6 MM OD)	1.6	12.50%	2
4"	(+1.6 MM OD)	1.6	12.50%	2
5" To 8"	(+2.4 MM OD /-1.6 MM OD)	1.6	12.50%	2
10" To 18"	(+4 MM OD /-3.2 MM OD)	3.2	12.50%	2
20" To 24"	(+6.4 MM OD /-4.8 MM OD)	4.8	12.50%	2

KPS

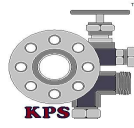


• **REDUCERS**

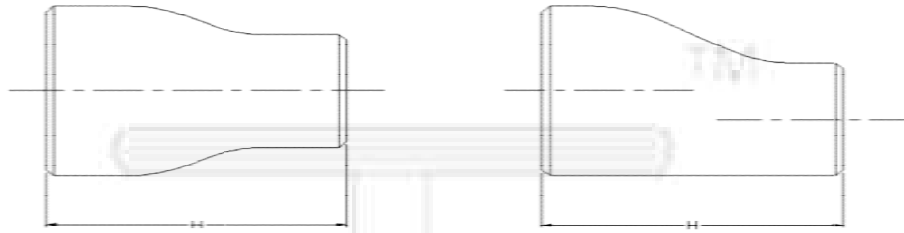


DIA	D	d	H
3/4" X 1/2"	26.7	21.3	38
3/4" X 3/8"	26.7	17.2	38
1" X 3/4"	33.3	26.7	51
1" X 1/2"	33.3	21.3	51
1 1/4" X 1"	42.2	33.3	51
1 1/4" X 3/4"	42.2	26.7	51
1 1/4" X 1/2"	42.2	21.3	51
1 1/2" X 1 1/4"	48.3	42.2	64
1 1/2" X 1"	48.3	33.3	64
1 1/2" X 3/4"	48.3	26.7	64
1 1/2" X 1/2"	48.3	21.3	64
2" X 1 1/2"	60.3	48.3	76
2" X 1 1/4"	60.3	42.2	76
2" X 1"	60.3	33.3	76
2" X 3/4"	60.3	26.7	76
2 1/2" X 2"	73	60.3	89
2 1/2" X 1 1/2"	73	48.3	89
2 1/2" X 1 1/4"	73	42.2	89
2 1/2" X 1"	73	33.3	89
3" X 1 1/2"	88.9	73	89
3" X 2 1/2"	88.9	60.3	89
3" X 2"	88.9	48.3	89
3" X 1 1/4"	88.9	42.2	89

DIA	D	d	H
3 1/2" X 3"	101.6	88.9	102
3 1/2" X 2 1/2"	101.6	73	102
3 1/2" X 2"	101.6	60.3	102
3 1/2" X 1 1/2"	101.6	48.3	102
3 1/2" X 1 1/4"	101.6	42.2	102
4" X 3 1/2"	114.3	101.6	102
4" X 3"	114.3	88.9	102
4" X 2 1/2"	114.3	73	102
4" X 2"	114.3	60.3	102
4" X 1 1/2"	114.3	48.3	102
5" X 4"	141.3	114.3	127
5" X 3 1/2"	141.3	101.6	127
5" X 3"	141.3	88.9	127
5" X 2 1/2"	141.3	73	127
5" X 2"	141.3	60.3	127
6" X 5"	168.3	141.3	140
6" X 4"	168.3	114.3	140
6" X 3 1/2"	168.3	101.6	140
6" X 3"	168.3	88.9	140
6" X 2 1/2"	168.3	73	140
8" X 6"	219.1	168.3	152
8" X 5"	219.1	141.3	152
8" X 4"	219.1	114.3	152

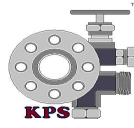


• **REDUCERS**



DIA	D	d	H
8" X 3 1/2"	219.1	101.6	152
10" X 8"	273	219.1	178
10" X 6"	273	168.3	178
10" X 5"	273	141.3	178
10" X 4"	273	114.3	178
12" X 10"	323.89	273	203
12" X 8"	323.89	219.1	203
12" X 6"	323.89	168.3	203
12" X 5"	323.89	141.3	203
14" X 12"	355.6	323.89	330
14" X 10"	355.6	273	330
14" X 8"	355.6	219.1	330
14" X 6"	355.6	168.3	330
16" X 14"	406.4	355.6	356
16" X 12"	406.4	323.89	356
16" X 10"	406.4	273	356
16" X 8"	406.4	219.1	356
18" X 16"	457	406.4	381
18" X 14"	457	355.6	381
18" X 12"	457	323.6	381
18" X 10"	457	273	381
20" X 18"	508	457	508
20" X 16"	508	406.4	508

DIA	D	d	H
20" X 14"	508	355.6	508
20" X 12"	508	323.89	508
22" X 20"	559	508	508
22" X 18"	559	457	508
22" X 16"	559	406.4	508
22" X 14"	559	355.6	508
24" X 22"	610	559	508
24" X 20"	610	508	508
24" X 18"	610	457	508
24" X 16"	610	406.4	508



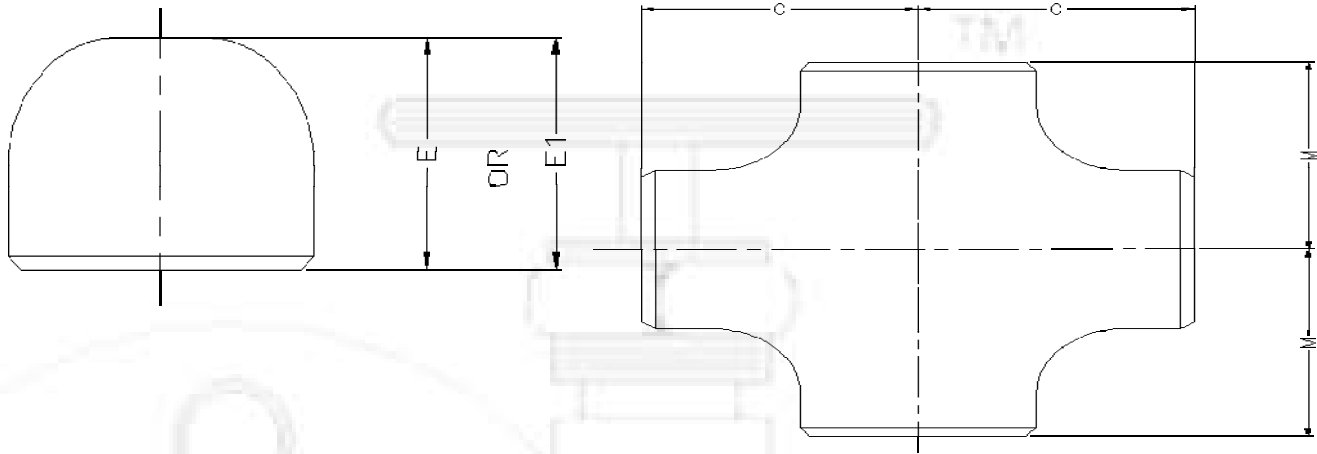
• **REDUCERS**

Size	Outside Diameter	Tolerances		
		Inside Diameter	Wall Thickness	Height Of Reducer
1/2" To 2 1/2"	(+1.6 MM OD /-0.8 MM OD)	0.8	12.50%	2
3" To 3 1/2"	(+1.6 MM OD)	1.6	12.50%	2
4"	(+1.6 MM OD)	1.6	12.50%	2
5" To 8"	(+2.4 MM OD /-1.6 MM OD)	1.6	12.50%	2
10" To 18"	(+4 MM OD /-3.2 MM OD)	3.2	12.50%	2
20" To 24"	(+6.4 MM OD /-4.8 MM OD)	4.8	12.50%	2

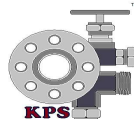
KPS



• **CROSSES AND CAPS**



DIA	D	C	M	E STD XS	E
1/2"	21.3	25	25	25	25
3/4"	26.7	29	29	25	25
1"	33.4	38	38	38	38
1 1/4"	42.2	48	48	38	38
1 1/2"	48.3	57	57	38	38
2"	60.3	64	64	38	44
2 1/2"	73	76	76	38	51
3"	88.9	86	86	51	64
3 1/2"	101.6	95	95	64	76
4"	114.3	105	105	64	76
5"	141.3	124	124	76	89
6"	168.3	143	143	89	102
8"	219.1	178	178	102	127
10"	273	216	216	127	152
12"	323.89	254	254	152	178
14"	355.6	279	279	165	191
16"	406.4	305	305	178	203
18"	457	343	343	203	229
20"	508	381	381	229	254
22"	559	419	419	254	254
24"	610	432	432	267	305



- CROSSES AND CAPS**

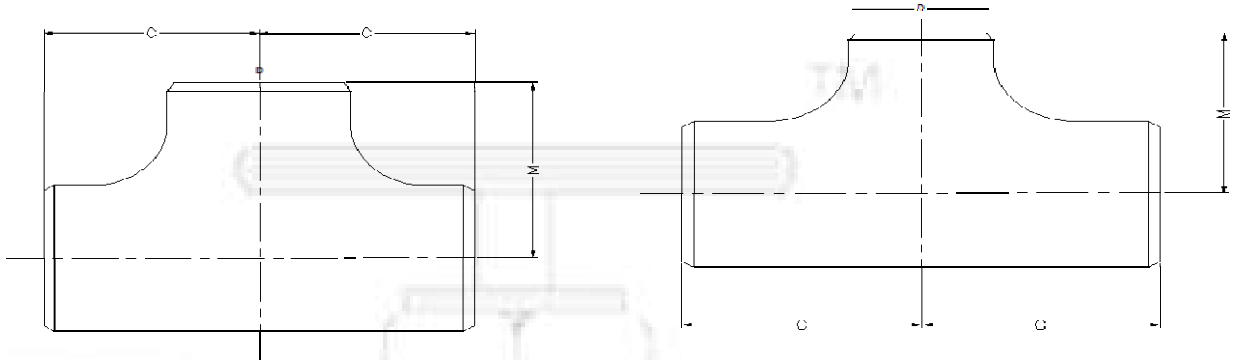
Tolerances

Size	outside Diameter	Inside Diameter	Wall Thickness	Height of Cap
1/2" To 2 1/2"	(+1.6 MM OD /-0.8 MM OD)	0.8	12.50%	3
3" To 3 1/2"	(+1.6 MM OD)	1.6	12.50%	3
4"	(+1.6 MM OD)	1.6	12.50%	3
5" To 8"	(+2.4 MM OD /-1.6 MM OD)	1.6	12.50%	6
10" To 18"	(+4 MM OD /-3.2 MM OD)	3.2	12.50%	6
20" To 24"	(+6.4 MM OD /-4.8 MM OD)	4.8	12.50%	6

KPS



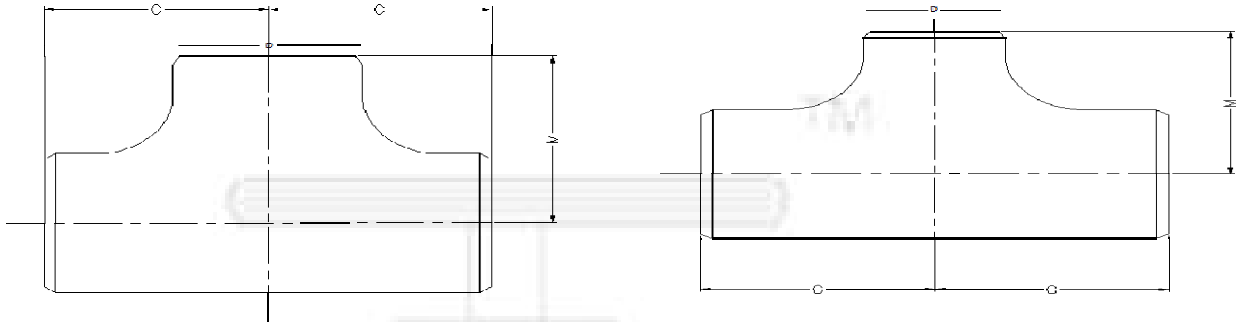
• **TEES**



DIA	D	D1	C	M	DIA	D	D1	C	M
1/2"	21.3		25	25	2 1/2"	73		76	76
1/2" X 1/2" X 3/8"	21.3	17	25	25	2 1/2" X 2 1/2" X 2"	73	60.3	76	70
1/2" X 1/2" X 1/4"	21.3	14	25	25	2 1/2" X 2 1/2" X 1 1/2"	73	48.3	76	67
3/4"	26.3		29	29	2 1/2" X 2 1/2" X 1 1/4"	73	42.2	76	64
3/4" X 3/4" X 1/2"	26.3	21.3	29	29	2 1/2" X 2 1/2" X 1"	73	26.3	76	57
3/4" X 3/4" X 3/8"	26.3	17	29	29	3"	88.9		86	86
1"	33.4		38	38	3" X 3" X 2 1/2"	88.9	73	86	83
1" X 1" X 3/4"	33.4	26.3	38	38	3" X 3" X 2"	88.9	60.3	86	76
1" X 1" X 1/2"	33.4	21.3	38	38	3" X 3" X 1 1/2"	88.9	48.3	86	73
1 1/4"	42.2		48	48	3" X 3" X 1 1/4"	88.9	42.2	86	70
1 1/4" X 1 1/4" X 1"	42.2	33.4	48	48	3 1/2"	101.6		95	95
1 1/4" X 1 1/4" X 3/4"	42.2	26.3	48	48	3 1/2" X 3 1/2" X 3"	101.6	88.9	95	92
1 1/4" X 1 1/4" X 1/2"	42.2	21.3	48	48	3 1/2" X 3 1/2" X 2 1/2"	101.6	73	95	89
1 1/2"	48.3		57	57	3 1/2" X 3 1/2" X 2"	101.6	60.3	95	83
1 1/2" 1 1/2" X 1 1/4"	48.3	42.2	57	57	3 1/2" X 3 1/2" X 1 1/2"	101.6	48.3	95	79
1 1/2" 1 1/2" X 1"	48.3	33.4	57	57	4"	114.3		105	105
1 1/2" 1 1/2" X 3/4"	48.3	26.3	57	57	4" X 4" X 3 1/2"	114.3	101.6	105	102
1 1/2" 1 1/2" X 1/2"	48.3	21.3	57	57	4" X 4" X 3"	114.3	88.9	105	98
2"	60.3		64	64	4" X 4" X 2 1/2"	114.3	73	105	95
2" X 2" X 1 1/2"	60.3	48.3	64	60	4" X 4" X 2"	114.3	60.3	105	89
2" X 2" X 1 1/4"	60.3	42.2	64	57	4" X 4" X 1 1/2"	114.3	48.3	105	86
2" X 2" X 1"	60.3	26.3	64	51	5"	141.3		124	124
2" X 2" X 3/4"	60.3	21.3	64	44	5" X 5" X 4"	141.3	114.3	124	117



• **TEES**



DIA	D	D1	C	M	DIA	D	D1	C	M
14"	355.6		279	279	20" X 20" X 8"	508	219.1	381	324
14" X 14" X 12"	355.6	323.89	279	270	22"	559		419	419
14" X 14" X 10"	355.6	26.33.4	279	257	22" X 22" X 20"	559	508	419	406
14" X 14" X 8"	355.6	219.1	279	248	22" X 22" X 18"	559	457	419	394
14" X 14" X 6"	355.6	168.3	279	238	22" X 22" X 16"	559	406.4	419	381
16"	406.4		305	305	22" X 22" X 14"	559	355.6	419	381
16" X 16" X 14"	406.4	355.6	305	305	22" X 22" X 12"	559	323.89	419	371
16" X 16" X 12"	406.4	323.89	305	295	22" X 22" X 10"	559	26.33.4	419	359
16" X 16" X 10"	406.4	26.33.4	305	283	24"	610		432	432
16" X 16" X 8"	406.4	219.1	305	273	24" X 24" X 22"	610	559	432	432
16" X 16" X 6"	406.4	168.3	305	264	24" X 24" X 20"	610	508	432	432
18"	457		343	343	24" X 24" X 18"	610	457	432	419
18" X 18" X 16"	457	406.4	343	330	24" X 24" X 16"	610	406.4	432	406
18" X 18" X 14"	457	355.6	343	330	24" X 24" X 14"	610	355.6	432	406
18" X 18" X 12"	457	323.89	343	321	24" X 24" X 12"	610	323.89	432	397
18" X 18" X 10"	457	26.33.4	343	308	24" X 24" X 10"	610	26.33.4	432	384
18" X 18" X 8"	457	219.1	343	298					
20"	508		381	381					
20" X 20" X 18"	508	457	381	368					
20" X 20" X 16"	508	406.4	381	356					
20" X 20" X 14"	508	355.6	381	356					
20" X 20" X 12"	508	323.89	381	346					
20" X 20" X 10"	508	26.33.4	381	333					



• **TEES**

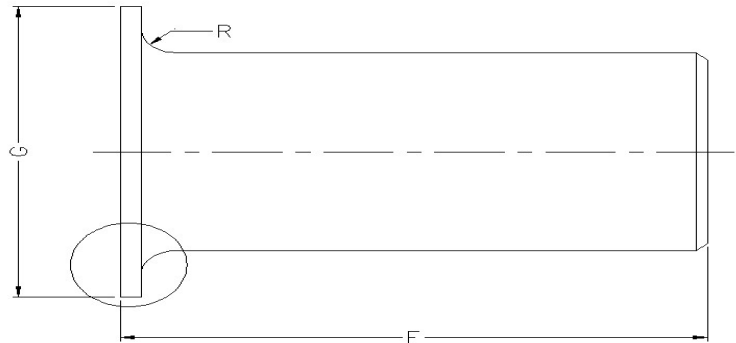
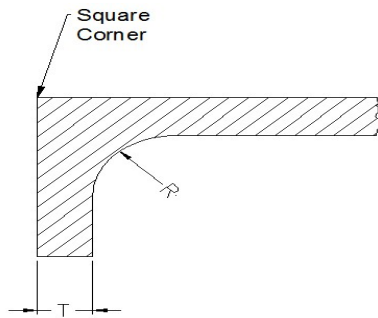
Tolerances

Size	Outside Diameter	Inside Diameter	Wall Thickness	Center To End
1/2" To 2 1/2"	(+1.6 MM OD /-0.8 MM OD)	0.8	12.50%	2
3" To 3 1/2"	(+1.6 MM OD)	1.6	12.50%	2
4"	(+1.6 MM OD)	1.6	12.50%	2
5" To 8"	(+2.4 MM OD /-1.6 MM OD)	1.6	12.50%	2
10" To 18"	(+4 MM OD /-3.2 MM OD)	3.2	12.50%	2
20" To 24"	(+6.4 MM OD /-4.8 MM OD)	4.8	12.50%	2

KPS



• **STUB END**



Nominal Pipe Size	Outside Diameter		Long F	Short F	Radius Of Fillet R	Diameter Of Lap G
	Max	Min				
1/2"	22.8	20.5	76	51	3	35
3/4"	28.1	25.9	76	51	3	43
1"	35	32.6	102	51	3	51
1 1/4"	43.6	41.4	102	51	5	64
1 1/2"	49.9	41.5	102	51	6	73
2"	62.4	59	152	64	8	92
2 1/2"	75.3	72.2	152	64	8	106
3"	91.3	88.1	152	64	10	127
3 1/2"	104	100.8	152	76	10	140
4"	116.7	113.5	152	76	11	157
5"	144.3	140.5	203	76	11	185
6"	171.3	167.5	203	89	13	218
8"	222.1	218.3	203	102	13	270
10"	277.2	272.31	254	127	13	324
12"	328	323.1	254	152	13	381
14"	359.9	354.8	305	152	13	413
16"	411	405.6	305	152	13	470
18"	462	456	305	152	13	533
20"	514	501	305	152	13	584
22"	565	558	305	152	13	641
24"	616	609	305	152	13	692



- STUB END**

Tolerances

Size	Outside Diameter Of Lap	Fillet Radius Of Lap	Lap Thickness
1/2" To 2 1/2"	(+0 MM OD /-1 MM OD)	(+0 MM OD /-1 MM OD)	(+1.6 MM OD /-0 MM OD)
3" To 3 1/2"	(+0 MM OD /-1 MM OD)	(+0 MM OD /-1 MM OD)	(+1.6 MM OD /-0 MM OD)
4"	(+0 MM OD /-1 MM OD)	(+0 MM OD /-1 MM OD)	(+1.6 MM OD /-0 MM OD)
5" To 8"	(+0 MM OD /-1 MM OD)	(+0 MM OD /-1 MM OD)	(+1.6 MM OD /-0 MM OD)
10" To 18"	(+0 MM OD /-2 MM OD)	(+0 MM OD /-2 MM OD)	(+3.2 MM OD /-0 MM OD)
20" To 24"	(+0 MM OD /-2 MM OD)	(+0 MM OD /-2 MM OD)	(+3.2 MM OD /-0 MM OD)

KPS